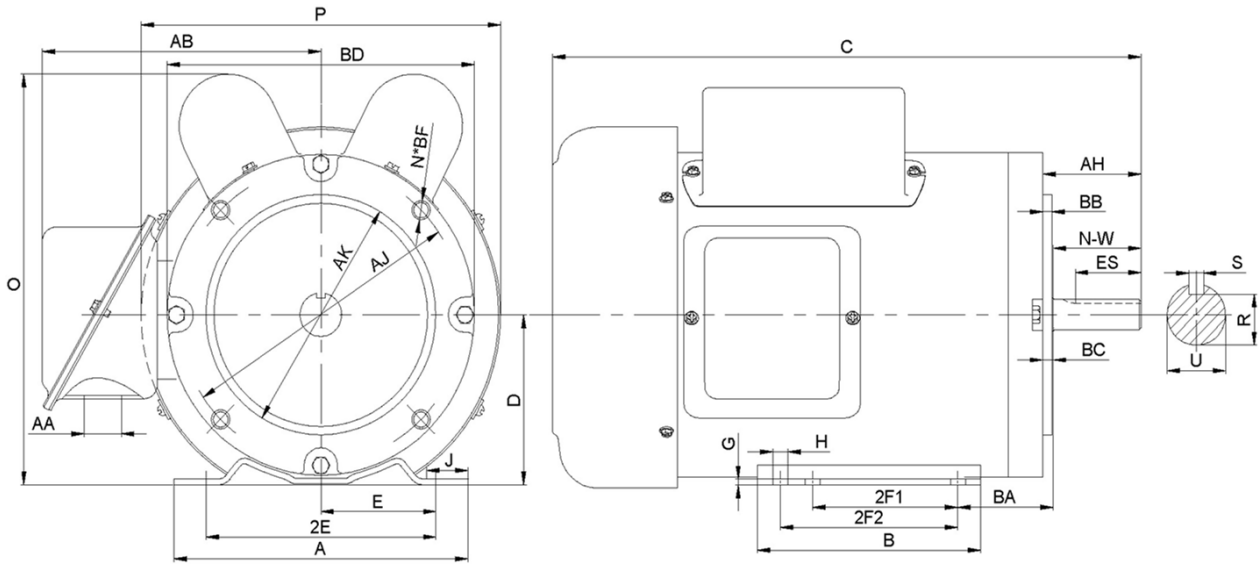


**F56C1/3S2C**

**GENERAL PURPOSE ELECTRIC MOTOR**  
**SINGLE PHASE - CAPACITOR START / CAPACITOR RUN**  
**ROLLED STEEL CONSTRUCTION**  
**TOTALLY ENCLOSED FAN COOLED**



**DIMENSIONS**

HP	RPM	Frame	MOUNTING														
			A	B	C	D	G	H	J	E	2E	2F1	2F2	O	P	T	BA
1/3	3600	56C	6.3	3.94	14.57	3.5	0.12	0.34	1.46	2.44	4.88	3	NA	8.46	7.01	NA	2.75

FLANGE							Shaft Extension, Key Set						
AH	AJ	AK	BB	BC	BD	BF	U	V	R	S	ES	N-W	
2.06	5.875	4.5	0.16	0.19	6.5	4*3/8-16	0.625	1.5	0.517	0.188	1.41	1.88	

Conduit Box		Bearings		Mount
AA	AB	DE	ODE	
0.81	6.18	6203-2RZC3	6203-2RZC3	F1

**BEARING LUBRICATION:** The bearings come lubricated with Mobil Polyrex EM Polyurea Grease.



**ElectricalHelper.org**

For All Your Electric Needs Since 1928  
 411 N Platte Ave. York, NE. 68467

**AC-DC MOTORS :: SALES & SERVICE**  
**REWINDING :: CUSTOM CONTROL PANEL**

**Kelly MacMillan**  
 Office PH: 888.226.4917 Ext. 102  
 Fax: 888.226.4917  
 Cell: 402.679.1579  
 E-Mail: [kelly@electricalhelper.com](mailto:kelly@electricalhelper.com)





**GENERAL PURPOSE ELECTRIC MOTOR  
SINGLE PHASE - CAPACITOR START / CAPACITOR RUN  
ROLLED STEEL CONSTRUCTION  
TOTALLY ENCLOSED FAN COOLED**

**PERFORMANCE DATA**

HP	RPM	Frame	Voltage	Frequency (Hz)	Full Load S.F.	Insulation Class	NEMA Design	Slip (%)	NEMA Code	Enclosure Type	IP Rating	Max. Ambient
1/3	3475	56C	115/208-230V	60	1.15	F	N	3.5	L	TEFC	IP44	40°C

Amps (230V)		Efficiency (%)			Power Factor			Torque (ft-lb)			DE Bearing	ODE Bearing	Connection	Weight (lbs.)
FLA	LRA	100%	75%	50%	100%	75%	50%	FLT	LRT %	BDT %				
2.36	14.0	50.8	46.8	37.2	0.89	0.87	0.83	0.68	332	300	6203-2RZC3	6203-2RZC3	6 Lead	20

**NAME PLATE**

 <b>North American Electric, Inc.</b>		<b>GENERAL PURPOSE</b>																																									
		<b>HIGH STARTING TORQUE</b>																																									
<b>SINGLE PHASE ELECTRIC MOTOR</b>		<b>TOTALLY ENCLOSED FAN COOLED</b>																																									
MODEL	F56C1/3S2C	HP	1/3																																								
FRAME	56C	ENCL	TEFC																																								
		PH	1																																								
RPM	3475	CODE	L																																								
		HZ	60																																								
DESIGN	N	CLASS	F																																								
		S.F.	1.15																																								
DE BRG	6203-2RZC3	ODE BRG	6203-2RZC3																																								
VOLT	115/208-230V	LBS	20																																								
AMPS	4.55/2.19-2.36	DUTY	CONT																																								
S.F. AMPS	4.8/2.8-2.5	MAX AMB	40°C																																								
SERIAL NUMBER																																											
<table border="0"> <tr> <td colspan="2">115V LOW VOLTAGE</td> <td colspan="2">208-230V HIGH VOLTAGE</td> </tr> <tr> <td>CCW</td> <td>CW</td> <td>CCW</td> <td>CW</td> </tr> <tr> <td>(T1)</td> <td>(T1)</td> <td>(T1)</td> <td>(T1)</td> </tr> <tr> <td>(T3)</td> <td>(T3)</td> <td>(T3)</td> <td>(T3)</td> </tr> <tr> <td>(T8)</td> <td>(T8)</td> <td>(T8)</td> <td>(T8)</td> </tr> <tr> <td>(T2)</td> <td>(T2)</td> <td>(T2)</td> <td>(T2)</td> </tr> <tr> <td>(T4)</td> <td>(T4)</td> <td>(T4)</td> <td>(T4)</td> </tr> <tr> <td>(T5)</td> <td>(T5)</td> <td>(T5)</td> <td>(T5)</td> </tr> <tr> <td></td> <td>L1</td> <td></td> <td>L1</td> </tr> <tr> <td></td> <td>L2</td> <td></td> <td>L2</td> </tr> </table>				115V LOW VOLTAGE		208-230V HIGH VOLTAGE		CCW	CW	CCW	CW	(T1)	(T1)	(T1)	(T1)	(T3)	(T3)	(T3)	(T3)	(T8)	(T8)	(T8)	(T8)	(T2)	(T2)	(T2)	(T2)	(T4)	(T4)	(T4)	(T4)	(T5)	(T5)	(T5)	(T5)		L1		L1		L2		L2
115V LOW VOLTAGE		208-230V HIGH VOLTAGE																																									
CCW	CW	CCW	CW																																								
(T1)	(T1)	(T1)	(T1)																																								
(T3)	(T3)	(T3)	(T3)																																								
(T8)	(T8)	(T8)	(T8)																																								
(T2)	(T2)	(T2)	(T2)																																								
(T4)	(T4)	(T4)	(T4)																																								
(T5)	(T5)	(T5)	(T5)																																								
	L1		L1																																								
	L2		L2																																								
  																																											



**ElectricalHelper.org**  
For All Your Electric Needs Since 1928  
411 N Platte Ave. York, NE. 68467

**AC-DC MOTORS :: SALES & SERVICE  
REWINDING :: CUSTOM CONTROL PANEL**

**Kelly MacMillan**  
Office PH: 888.226.4917 Ext. 102  
Fax: 888.226.4917  
Cell: 402.679.1579  
E-Mail: [kelly@electricalhelper.com](mailto:kelly@electricalhelper.com)