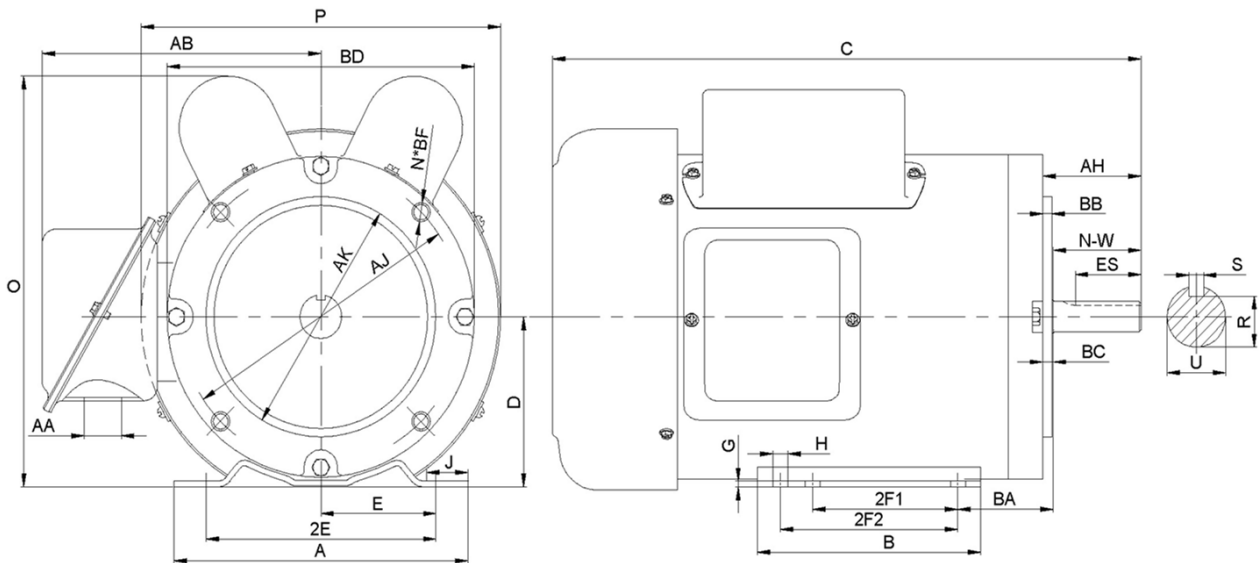


F56CH2S4C

**GENERAL PURPOSE ELECTRIC MOTOR
SINGLE PHASE - CAPACITOR START / CAPACITOR RUN
ROLLED STEEL CONSTRUCTION
TOTALLY ENCLOSED FAN COOLED**



DIMENSIONS

HP	RPM	Frame	MOUNTING														
			A	B	C	D	G	H	J	E	2E	2F1	2F2	O	P	T	BA
2	1800	56CH	6.5	6.5	14.57	3.5	0.12	0.34	1.06	2.44	4.88	3	5	8.46	7.01	NA	2.75

FLANGE							Shaft Extension, Key Set						
AH	AJ	AK	BB	BC	BD	BF	U	V	R	S	ES	N-W	
2.06	5.875	4.5	0.16	0.19	6.5	4*3/8-16	0.625	1.5	0.517	0.188	1.41	1.88	

Conduit Box		Bearings		Mount
AA	AB	DE	ODE	
0.81	6.18	6203-2RZC3	6203-2RZC3	F1

BEARING LUBRICATION: The bearings come lubricated with Mobil Polyrex EM Polyurea Grease.



ElectricalHelper.org

For All Your Electric Needs Since 1928
411 N Platte Ave. York, NE. 68467

**AC-DC MOTORS :: SALES & SERVICE
REWINDING :: CUSTOM CONTROL PANEL**

Kelly MacMillan
Office PH: 888.226.4917 Ext. 102
Fax: 888.226.4917
Cell: 402.679.1579
E-Mail: kelly@electricalhelper.com





**GENERAL PURPOSE ELECTRIC MOTOR
SINGLE PHASE - CAPACITOR START / CAPACITOR RUN
ROLLED STEEL CONSTRUCTION
TOTALLY ENCLOSED FAN COOLED**

PERFORMANCE DATA

HP	RPM	Frame	Voltage	Frequency (Hz)	Full Load S.F.	Insulation Class	NEMA Design	Slip (%)	NEMA Code	Enclosure Type	IP Rating	Max. Ambient
2	1745	56CH	115/208-230V	60	1.15	F	L	3.1	J	TEFC	IP44	40°C

Amps (230V)		Efficiency (%)			Power Factor			Torque (ft-lb)			DE Bearing	ODE Bearing	Connection	Weight (lbs.)
FLA	LRA	100%	75%	50%	100%	75%	50%	FLT	LRT %	BDT %				
8.27	63.0	82	74	67	0.96	0.94	0.9	8.14	293	231	6203-2RZC3	6203-2RZC3	6 Lead	45

NAME PLATE

 North American Electric, Inc.		GENERAL PURPOSE HIGH STARTING TORQUE SINGLE PHASE ELECTRIC MOTOR TOTALLY ENCLOSED FAN COOLED																																	
MODEL	F56CH2S4C	HP	2																																
FRAME	56CH	ENCL	TEFC																																
RPM	1745	CODE	J																																
DESIGN	L	CLASS	F																																
DE BRG	6203-2RZC3	ODE BRG	6203-2RZC3																																
VOLT	115/208-230V	LBS	45																																
AMPS	16.51/9.08-8.27	DUTY	CONT																																
S.F. AMPS	18.8/10.6-9.6	MAX AMB	40°C																																
SERIAL NUMBER																																			
<table border="0"> <tr> <td colspan="2">115V LOW VOLTAGE</td> <td colspan="2">208-230V HIGH VOLTAGE</td> </tr> <tr> <td>CCW</td> <td>CW</td> <td>CCW</td> <td>CW</td> </tr> <tr> <td>(T1)</td> <td>(T1)</td> <td>(T1)</td> <td>(T1)</td> </tr> <tr> <td>(T3)</td> <td>(T3)</td> <td>(T3)</td> <td>(T3)</td> </tr> <tr> <td>(T8)</td> <td>(T5)</td> <td>(T8)</td> <td>(T5)</td> </tr> <tr> <td>(T2)</td> <td>(T2)</td> <td>(T2)</td> <td>(T2)</td> </tr> <tr> <td>(T4)</td> <td>(T4)</td> <td>(T4)</td> <td>(T4)</td> </tr> <tr> <td>(T5)</td> <td>(T8)</td> <td>(T5)</td> <td>(T8)</td> </tr> </table>				115V LOW VOLTAGE		208-230V HIGH VOLTAGE		CCW	CW	CCW	CW	(T1)	(T1)	(T1)	(T1)	(T3)	(T3)	(T3)	(T3)	(T8)	(T5)	(T8)	(T5)	(T2)	(T2)	(T2)	(T2)	(T4)	(T4)	(T4)	(T4)	(T5)	(T8)	(T5)	(T8)
115V LOW VOLTAGE		208-230V HIGH VOLTAGE																																	
CCW	CW	CCW	CW																																
(T1)	(T1)	(T1)	(T1)																																
(T3)	(T3)	(T3)	(T3)																																
(T8)	(T5)	(T8)	(T5)																																
(T2)	(T2)	(T2)	(T2)																																
(T4)	(T4)	(T4)	(T4)																																
(T5)	(T8)	(T5)	(T8)																																
  																																			


ElectricalHelper.org

For All Your Electric Needs Since 1928
411 N Platte Ave. York, NE. 68467

AC-DC MOTORS :: SALES & SERVICE
REWINDING :: CUSTOM CONTROL PANEL

Kelly MacMillan
Office PH: 888.226.4917 Ext. 102
Fax: 888.226.4917
Cell: 402.679.1579
E-Mail: kelly@electricalhelper.com