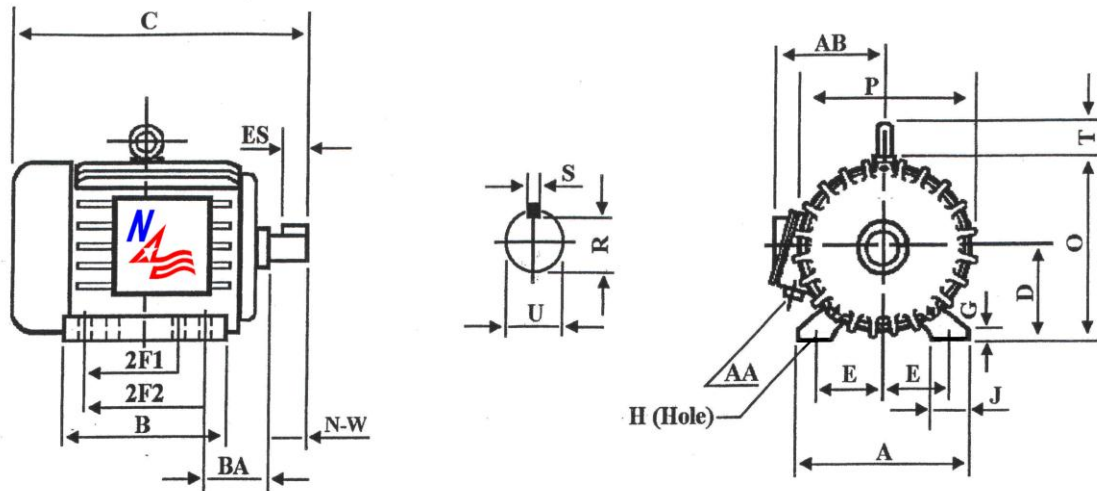


PEXP326T-50-4

Premium Efficiency Explosion Proof Motor

Class I, Division I, Groups C & D and Class II, Division I, Groups E, F and G - Operating Temperature Code: T3C



DIMENSIONS – INCHES

A	B	C	D	E	2F1	2F2	G	H	J	O
16	15.5	33.3	8	12.5	10.5	12	1.1	0.7	2.8	17.5
P	R	S	T	U	ES	AA	AB	BA	N-W	Mount
18	1.854	0.5	2.5	2.125	3.91	2	15.6	5.25	5.25	F1

PERFORMANCE DATA

Three Phase – 60Hz - 208-230/460V – NEMA Design B – Max. Ambient: 40° C

HP	Speed	Frame	NEMA Code	Efficiency (%)			Power Factor			Torque (ft-lb)		
				100%	75%	50%	100%	75%	50%	FLT	BDT%	LRT%
50	1783	326T	G	94.5	94.8	94.1	0.892	0.850	0.832	148.1	200	140
Amps (460V)		DE Bearing	ODE Bearing	Insulation Class	Enclosure Type	Service Factor	Weight (lbs)					
FLA	LRA											
55.0	362.5	6312	6312	F	TEFC	1.15	763					



ElectricalHelper

"Practical Straight Forward Electrical Wiring Solutions Since 1928."

For Fast Friendly Assistance
Call Us 888.226.4917
Hours 8:00AM - 5:00PM