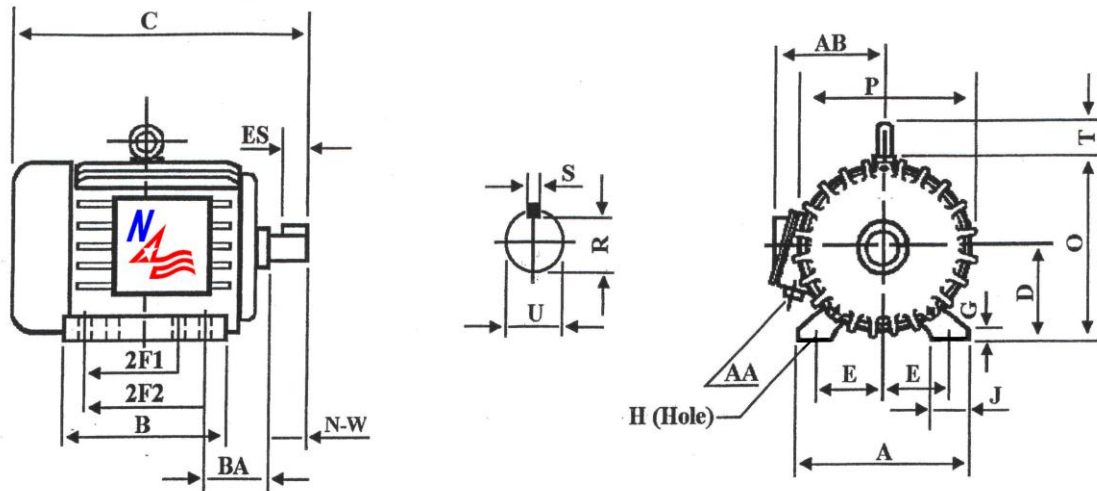


PEXP326TS-50-2

Premium Efficient Explosion Proof Motor

Class I, Division I, Groups C & D and Class II, Division I, Groups E, F and G - Operating Temperature Code: T3C



DIMENSIONS – INCHES

A	B	C	D	E	2F1	2F2	G	H	J	O
16	15.5	31.7	8	12.5	10.5	12	1.1	0.7	2.8	17.5
P	R	S	T	U	ES	AA	AB	BA	N-W	Mount
18	1.591	0.5	2.5	1.875	2.03	2	15.6	5.25	3.75	F1

PERFORMANCE DATA

Three Phase – 60Hz - 208-230/460V – NEMA Design B – Max. Ambient: 40° C

HP	Speed	Frame	NEMA Code	Efficiency (%)			Power Factor			Torque (ft-lb)		
				100%	75%	50%	100%	75%	50%	FLT	BDT%	LRT%
50	3573	326TS	G	93.0	93.7	93.3	88.0	88.2	83.5	73.9	200	120
Amps (460V)		DE Bearing	ODE Bearing	Insulation Class	Enclosure Type	Service Factor	Weight (lbs)					
FLA	LRA											
54.0	363	6312	6312	F	TEFC	1.15	743					



ElectricalHelper

"Practical Straight Forward Electrical Wiring Solutions Since 1928."

For Fast Friendly Assistance
Call Us 888.226.4917
Hours 8:00AM - 5:00PM



50Hz AND 60Hz DATA FOR 3 PHASE AC INDUCTION MOTOR AS IT APPEARS ON THE NAMEPLATE.

XP3650

CAT. NO: XP3650		FRAME: 326TS		ENCL: TEFC		PHASE: 3	
SHAFT END BRG: 6312				OPP/END BRG: 6312			
MAX. AMB: 40° C		INS CLASS: F		RATING: CONT.		MOTOR WEIGHT: 756LBS	
USABLE ON 208V 60HZ AT: 122.7 MAX. AMPS						SER:	
DIVISION I, CASS I, GROUPS C & D CLASS II, GROUPS E, F & G						OP TEMP CODE: T3C	
60 HERTZ DATA	HP: 50 RPM: 3565			HP: 50 RPM: 2955			50 HERTZ DATA
	VOLTAGE: 230/460V			VOLTAGE: 190/380V			
	F. L. AMPS: 111.0/55.5			F. L. AMPS: 135.4/67.7			
	S.F. AMPS: 127.6/63.8			S.F. AMPS: 135.4/67.7			
	S.F. 1.15	DESIGN: B	CODE: G	S.F. 1.0	DESIGN:	CODE: H	
	NEMA NOM. EFF: 92.4%			NEMA NOM. EFF: 91.0%			
	NOM. P. F.: 0.906			NOM. P. F.: 0.912			
	NEMA MIN. EFF.: 91.0%			NEMA MIN. EFF.: 89.5%			
	MAX. KVAR: 10.4			MAX. KVAR: 8.68			

Note: F.L. = Full Load P.F. = Power Factor S.F. = Service Factor



North American Electric, Inc. 350 Vaiden Drive, Hernando, MS 38632

Toll Free: 1-800-884-0405 Phone: 662-429-8049 Fax: 662-429-8546

www.naemotors.com