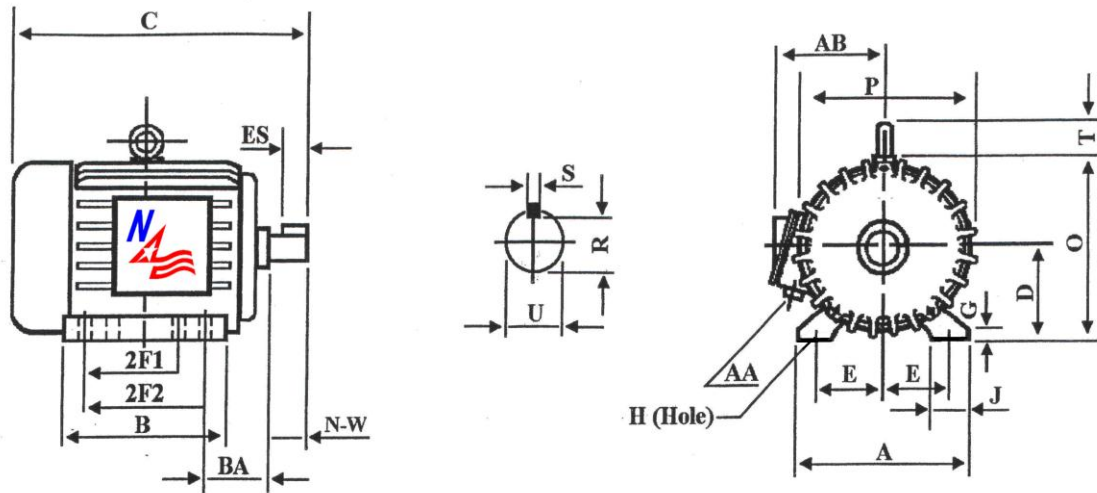


PEXP405T-100-4

Premium Efficient Explosion Proof Motor

Class I, Division I, Groups C & D and Class II, Division I, Groups E, F and G - Operating Temperature Code: T3C



DIMENSIONS – INCHES

A	B	C	D	E	2F1	2F2	G	H	J	O
20	17.8	38.6	10	16	12.25	13.75	1.2	0.8	3.2	21.3
P	R	S	T	U	ES	AA	AB	BA	N-W	Mount
21.6	2.45	0.75	2.9	2.875	5.65	3	18.7	6.62	7.25	F1

PERFORMANCE DATA

Three Phase – 60Hz - 208-230/460V – NEMA Design B – Max. Ambient: 40° C

HP	Speed	Frame	NEMA Code	Efficiency (%)			Power Factor			Torque (ft-lb)		
				100%	75%	50%	100%	75%	50%	FLT	BDT%	LRT%
100	1790	405T	G	95.4	95.4	94.8	85.0	85.2	81.9	293.4	200	125
Amps (460V)		DE Bearing	ODE Bearing	Insulation Class	Enclosure Type	Service Factor	Weight (lbs)					
FLA	LRA											
109.5	725	6316	6314	F	TEFC	1.15	1426					



ElectricalHelper

"Practical Straight Forward Electrical Wiring Solutions Since 1928."

For Fast Friendly Assistance
Call Us 888.226.4917
Hours 8:00AM - 5:00PM