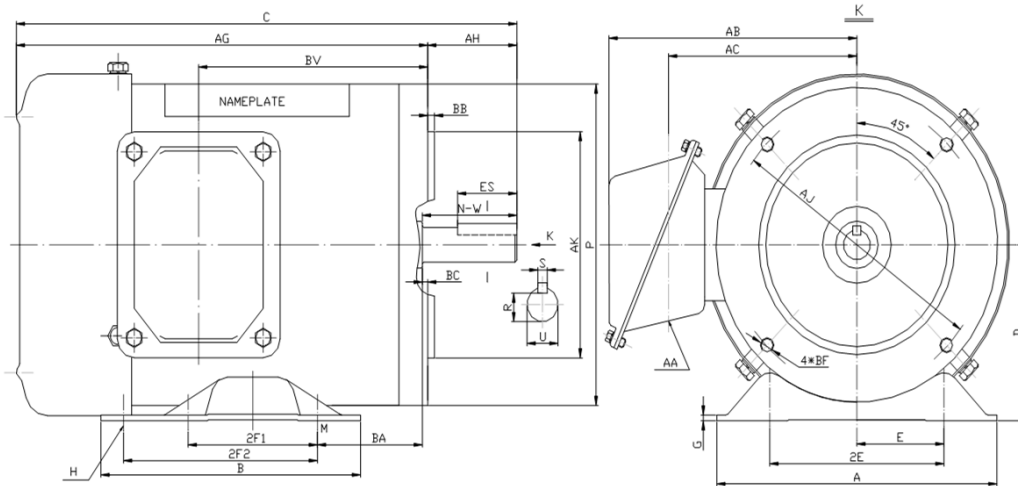


SS143TC1M-4

WASHDOWN DUTY MOTOR
 HIGH EFFICIENCY / EISA COMPLIANT
 STAINLESS STEEL CONSTRUCTION - C-FLANGE WITH FEET
 TOTALLY ENCLOSED FAN COOLED - IP66 CONSTRUCTION
 INVERTER DUTY 10:1 CT; 20:1 VT - NEMA MG1 PART 31



DIMENSIONS

HP	RPM	Frame	Mounting													
			A	B	C	D	G	H	E	2E	2F1	2F2	P	AK	AJ	AH
1	1800	143TC	6.50	6.50	13.81	3.50	0.12	0.35	2.75	5.50	4.00	5.00	6.50	4.500	5.875	2.12

Mounting					Shaft Extension, Key Set					Conduit Box				Bearings		Mount
AG	BA	BB	BC	BF	U	R	S	ES	N-W	AA	AB	AC	BV	DE	ODE	
11.69	2.75	0.16	0.12	4*3/8-16	0.875	0.771	0.188	1.41	2.25	0.86	5.75	4.25	7.50	6205	6205	F1

BEARING LUBRICATION: The bearings come lubricated with Mobile Polyrex EM Polyurea Grease.



Murphey Electric LLC

Serving Industry With The Best Products And Service Since 1928

411 Platte Ave.
 York, NE. 68467

Phone: 402-362-3245
 Toll Free / Fax: 888-226-4917



SS143TC1M-4

WASHDOWN DUTY MOTOR
HIGH EFFICIENCY / EISA COMPLIANT
STAINLESS STEEL CONSTRUCTION - C-FLANGE WITH FEET
TOTALLY ENCLOSED FAN COOLED - IP66 CONSTRUCTION
INVERTER DUTY 10:1 CT; 20:1 VT - NEMA MG1 PART 31

PERFORMANCE DATA

HP	RPM	Frame	Voltage	Frequency (Hz)	Full Load S.F.	Insulation Class	NEMA Design	Slip (%)	NEMA Code	Enclosure Type	IP Rating	Max. Ambient
1	1750	143TC	208-230/460	60	1.15	F	C	2.8	K	TEFC	66	40° C

Amps (460V)		Efficiency (%)				Power Factor			Torque (ft-lb)			DE Bearing	ODE Bearing	Connection	Weight (lbs.)
FLA	LRA	100%	75%	50%	Min.	100%	75%	50%	FLT	LRT %	BDT %				
1.5	15.0	82.5	78.0	74.0	80.0	0.75	0.60	0.46	3.0	285	300	6205	6205	9 Lead 2Y/Y	36

NAME PLATE

		WASHDOWN DUTY STAINLESS STEEL MOTOR				CONNECTION DIAGRAMS														
INVERTER DUTY 20:1 VT; 10:1 CT		HIGH EFFICIENCY EISA COMPLIANT				208 - 230V														
CAT NO:	SS143TC1M-4	FRAME	143TC	PHASE	3															
HZ	60	S.F.	1.15	HZ	50	S.F.	1.2	ENCL	TEFC	IP	66									
HP	1	RPM	1750	HP	3/4	RPM	1450	DUTY	CONT	DES	C									
VOLTS	208-230/460		VOLTS	190/380		AMB	40° C		INS	F										
FLA	3.2 - 2.9 / 1.45		FLA	3/1.5		DE BEARING	6205													
CODE	K	P.F.	0.75	CODE	K	P.F.	0.77	ODE BEARING	6205											
EFF	82.5	MIN	80.0	EFF	80	MIN	80	LUB:	Mobile Polyrex EM											
MOTOR WEIGHT	36	LBS	CONNECTION	9 Lead 2Y/Y			SER NO													
Special purpose motor designed for washdown applications and extremely corrosive environments. Hernando, Mississippi								CC 082A												

APPLICATIONS:

Applications include washdown applications, food processing, chemical processing, pharmaceuticals, poultry processing, meat processing, dairy applications, bakeries, snack foods, bottling and extremely corrosive environments.



Murphey Electric LLC

Serving Industry With The Best Products And Service Since 1928

411 Platte Ave.
 York, NE. 68467

Phone: 402-362-3245
 Toll Free / Fax: 888-226-4917