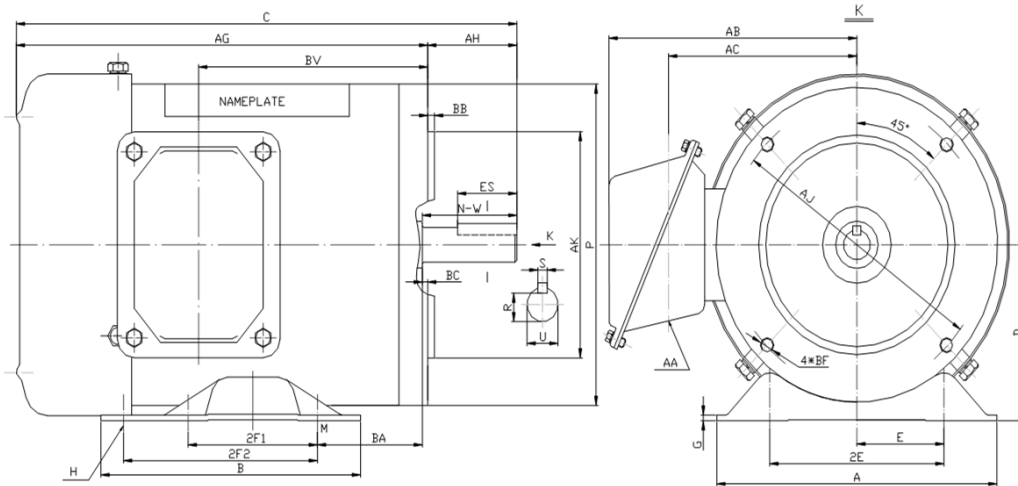


**SS56C1/2M-2**

WASHDOWN DUTY MOTOR  
 HIGH EFFICIENCY / EISA COMPLIANT  
 STAINLESS STEEL CONSTRUCTION - C-FLANGE WITH FEET  
 TOTALLY ENCLOSED FAN COOLED - IP66 CONSTRUCTION  
 INVERTER DUTY 10:1 CT; 20:1 VT - NEMA MG1 PART 31



**DIMENSIONS**

| HP  | RPM  | Frame | Mounting |      |       |      |      |           |      |      |      |      |      |       |       |      |
|-----|------|-------|----------|------|-------|------|------|-----------|------|------|------|------|------|-------|-------|------|
|     |      |       | A        | B    | C     | D    | G    | H         | E    | 2E   | 2F1  | 2F2  | P    | AK    | AJ    | AH   |
| 1/2 | 3600 | 56C   | 6.50     | 5.00 | 11.59 | 3.50 | 0.12 | 1.22*0.34 | 2.44 | 4.88 | 3.00 | 0.00 | 6.50 | 4.500 | 5.875 | 2.06 |

| Mounting |      |      |       |          | Shaft Extension, Key Set |       |       |      |      | Conduit Box |      |      |      | Bearings |      | Mount |
|----------|------|------|-------|----------|--------------------------|-------|-------|------|------|-------------|------|------|------|----------|------|-------|
| AG       | BA   | BB   | BC    | BF       | U                        | R     | S     | ES   | N-W  | AA          | AB   | AC   | BV   | DE       | ODE  |       |
| 9.53     | 2.75 | 0.16 | -0.19 | 4*3/8-16 | 0.625                    | 0.517 | 0.188 | 1.41 | 1.88 | 0.86        | 5.75 | 4.25 | 5.30 | 6205     | 6205 | F1    |

**BEARING LUBRICATION:** The bearings come lubricated with Mobile Polyrex EM Polyurea Grease.



***Murphey Electric LLC***

Serving Industry With The Best Products And Service Since 1928

411 Platte Ave.  
 York, NE. 68467

Phone: 402-362-3245  
 Toll Free / Fax: 888-226-4917



## SS56C1/2M-2

**WASHDOWN DUTY MOTOR**  
**HIGH EFFICIENCY / EISA COMPLIANT**  
**STAINLESS STEEL CONSTRUCTION - C-FLANGE WITH FEET**  
**TOTALLY ENCLOSED FAN COOLED - IP66 CONSTRUCTION**  
**INVERTER DUTY 10:1 CT; 20:1 VT - NEMA MG1 PART 31**

### PERFORMANCE DATA

| HP  | RPM  | Frame | Voltage     | Frequency (Hz) | Full Load S.F. | Insulation Class | NEMA Design | Slip (%) | NEMA Code | Enclosure Type | IP Rating | Max. Ambient |
|-----|------|-------|-------------|----------------|----------------|------------------|-------------|----------|-----------|----------------|-----------|--------------|
| 1/2 | 3460 | 56C   | 208-230/460 | 60             | 1.15           | F                | C           | 3.9      | K         | TEFC           | 66        | 40° C        |

| Amps (460V) |      | Efficiency (%) |      |      |      | Power Factor |      |      | Torque (ft-lb) |       |       | DE Bearing | ODE Bearing | Connection  | Weight (lbs.) |
|-------------|------|----------------|------|------|------|--------------|------|------|----------------|-------|-------|------------|-------------|-------------|---------------|
| FLA         | LRA  | 100%           | 75%  | 50%  | Min. | 100%         | 75%  | 50%  | FLT            | LRT % | BDT % |            |             |             |               |
| 0.8         | 10.0 | 77.0           | 75.0 | 67.0 | 74.0 | 0.88         | 0.67 | 0.58 | 0.7            | 285   | 300   | 6205       | 6205        | 9 Lead 2Y/Y | 29            |

### NAME PLATE

|   |                     |  |                        |                               |                         |                               |  |  |  |
|---|---------------------|--|------------------------|-------------------------------|-------------------------|-------------------------------|--|--|--|
|   |                     | <b>WASHDOWN DUTY STAINLESS STEEL MOTOR</b> |                        |                               |                         | <b>CONNECTION DIAGRAMS</b>    |  |  |  |
| <b>INVERTER DUTY 20:1 VT; 10:1 CT</b>   |                     | <b>HIGH EFFICIENCY EISA COMPLIANT</b>      |                        |                               |                         | <b>208 - 230V</b>             |  |  |  |
| <b>CAT NO: SS56C1/2M-2</b>  |                     | <b>FRAME 56C</b>                           |                        | <b>PHASE 3</b>                |                         |                               |  |  |  |
| <b>HZ 60</b>  | <b>S.F. 1.15</b>    | <b>HZ 50</b>                               | <b>S.F. 1.2</b>        | <b>ENCL TEFC</b>              | <b>IP 66</b>            |                               |  |  |  |
| <b>HP 1/2</b>   | <b>RPM 3460</b>     | <b>HP 1/3</b>                              | <b>RPM 2855</b>        | <b>DUTY CONT</b>              | <b>DES C</b>            |                               |  |  |  |
| <b>VOLTS 208-230/460</b>  |                     | <b>VOLTS 190/380</b>                       |                        | <b>AMB 40° C</b>              | <b>INS F</b>            |                               |  |  |  |
| <b>FLA 1.7 - 1.5 / 0.75</b>   | <b>FLA 1.3/0.65</b> |  | <b>DE BEARING 6205</b> |                               | <b>ODE BEARING 6205</b> |                               |  |  |  |
| <b>CODE K</b>   | <b>P.F. 0.88</b>    | <b>CODE K</b>                              | <b>P.F. 0.90</b>       | <b>ODE BEARING 6205</b>       |                         | <b>LUB: Mobile Polyrex EM</b> |  |  |  |
| <b>EFF 77.0</b>   | <b>MIN 74.0</b>     | <b>EFF 74</b>                              | <b>MIN 71</b>          | <b>LUB: Mobile Polyrex EM</b> |                         | <b>MOTOR WEIGHT 29 LBS</b>    |  |  |  |
| <b>MOTOR WEIGHT 29 LBS</b>  |                     | <b>CONNECTION 9 Lead 2Y/Y</b>              |                        | <b>SER NO</b>                 |                         | <b>460V</b>                   |  |  |  |
| Special purpose motor designed for washdown applications and extremely corrosive environments.<br>Hernando, Mississippi |                     |  |                        |                               | <b>CC 082A</b>          |                               |  |  |  |

### APPLICATIONS:

Applications include washdown applications, food processing, chemical processing, pharmaceuticals, poultry processing, meat processing, dairy applications, bakeries, snack foods, bottling and extremely corrosive environments.



**Murphey Electric LLC**  
 Serving Industry With The Best Products And Service Since 1928

411 Platte Ave.  
 York, NE. 68467

Phone: 402-362-3245  
 Toll Free / Fax: 888-226-4917