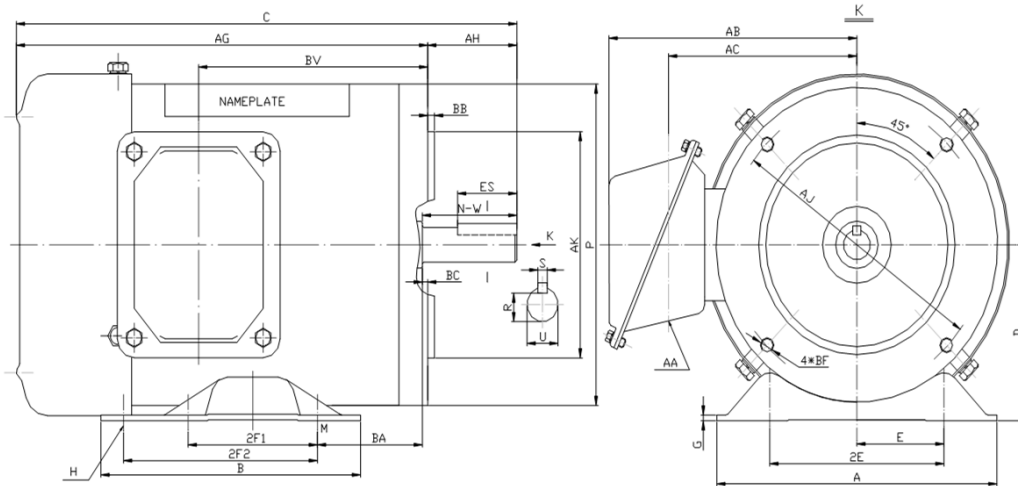


**SS56C1/2M-4**

WASHDOWN DUTY MOTOR  
 HIGH EFFICIENCY / EISA COMPLIANT  
 STAINLESS STEEL CONSTRUCTION - C-FLANGE WITH FEET  
 TOTALLY ENCLOSED FAN COOLED - IP66 CONSTRUCTION  
 INVERTER DUTY 10:1 CT; 20:1 VT - NEMA MG1 PART 31



**DIMENSIONS**

HP	RPM	Frame	Mounting													
			A	B	C	D	G	H	E	2E	2F1	2F2	P	AK	AJ	AH
1/2	1800	56C	6.50	5.00	11.59	3.50	0.12	1.22*0.34	2.44	4.88	3.00	0.00	6.50	4.500	5.875	2.06

Mounting					Shaft Extension, Key Set					Conduit Box				Bearings		Mount
AG	BA	BB	BC	BF	U	R	S	ES	N-W	AA	AB	AC	BV	DE	ODE	
9.53	2.75	0.16	-0.19	4*3/8-16	0.625	0.517	0.188	1.41	1.88	0.86	5.75	4.25	5.30	6205	6205	F1

**BEARING LUBRICATION:** The bearings come lubricated with Mobile Polyrex EM Polyurea Grease.



**Murphey Electric LLC**

Serving Industry With The Best Products And Service Since 1928

411 Platte Ave.  
 York, NE. 68467

Phone: 402-362-3245  
 Toll Free / Fax: 888-226-4917



## SS56C1/2M-4

**WASHDOWN DUTY MOTOR**  
**HIGH EFFICIENCY / EISA COMPLIANT**  
**STAINLESS STEEL CONSTRUCTION - C-FLANGE WITH FEET**  
**TOTALLY ENCLOSED FAN COOLED - IP66 CONSTRUCTION**  
**INVERTER DUTY 10:1 CT; 20:1 VT - NEMA MG1 PART 31**

### PERFORMANCE DATA

HP	RPM	Frame	Voltage	Frequency (Hz)	Full Load S.F.	Insulation Class	NEMA Design	Slip (%)	NEMA Code	Enclosure Type	IP Rating	Max. Ambient
1/2	1745	56C	208-230/460	60	1.15	F	C	3.1	K	TEFC	66	40° C

Amps (460V)		Efficiency (%)				Power Factor			Torque (ft-lb)			DE Bearing	ODE Bearing	Connection	Weight (lbs.)
FLA	LRA	100%	75%	50%	Min.	100%	75%	50%	FLT	LRT %	BDT %				
0.8	10.0	82.5	77.0	72.0	80.0	0.78	0.62	0.53	1.5	285	300	6205	6205	9 Lead 2Y/Y	30

### NAME PLATE

		<b>WASHDOWN DUTY STAINLESS STEEL MOTOR</b>				<b>CONNECTION DIAGRAMS</b>					
<b>INVERTER DUTY 20:1 VT; 10:1 CT</b>				<b>HIGH EFFICIENCY EISA COMPLIANT</b>							
CAT NO: SS56C1/2M-4		FRAME 56C		PHASE 3							
HZ 60	S.F. 1.15	HZ 50	S.F. 1.2	ENCL TEFC	IP 66						
HP 1/2	RPM 1745	HP 1/3	RPM 1450	DUTY CONT	DES C						
VOLTS 208-230/460		VOLTS 190/380		AMB 40° C	INS F						
FLA 1.8 - 1.6 / 0.8	FLA 1.4/0.7		DE BEARING 6205								
CODE K	P.F. 0.78	CODE K	P.F. 0.80	ODE BEARING 6205							
EFF 82.5	MIN 80.0	EFF 80	MIN 77	LUB: Mobile Polyrex EM							
MOTOR WEIGHT 30 LBS	CONNECTION 9 Lead 2Y/Y		SER NO								
Special purpose motor designed for washdown applications and extremely corrosive environments. Hernando, Mississippi										CC 082A	

### APPLICATIONS:

Applications include washdown applications, food processing, chemical processing, pharmaceuticals, poultry processing, meat processing, dairy applications, bakeries, snack foods, bottling and extremely corrosive environments.



**Murphy Electric LLC**

Serving Industry With The Best Products And Service Since 1928

411 Platte Ave.  
York, NE. 68467

Phone: 402-362-3245  
Toll Free / Fax: 888-226-4917