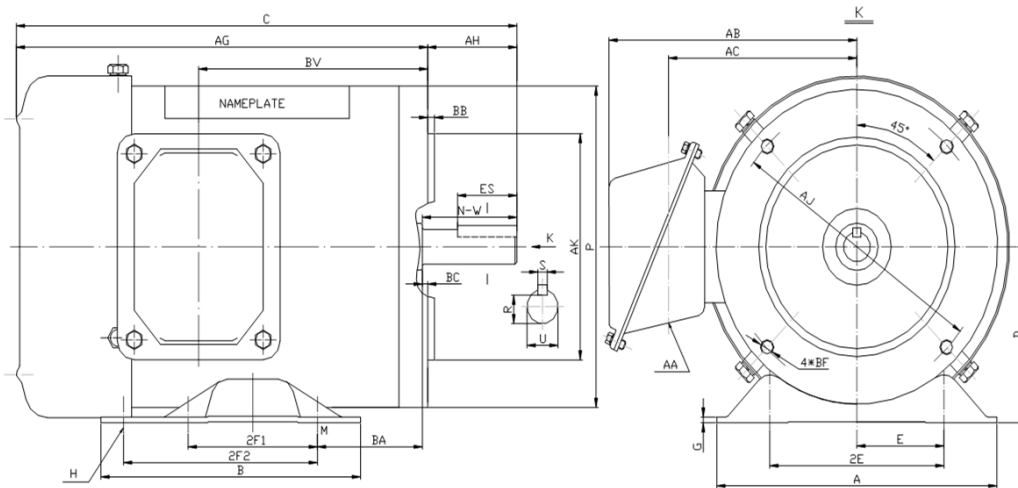


**SS56C1.5M-2**

WASHDOWN DUTY MOTOR  
 HIGH EFFICIENCY / EISA COMPLIANT  
 STAINLESS STEEL CONSTRUCTION - C-FLANGE WITH FEET  
 TOTALLY ENCLOSED FAN COOLED - IP66 CONSTRUCTION  
 INVERTER DUTY 10:1 CT; 20:1 VT - NEMA MG1 PART 31



**DIMENSIONS**

HP	RPM	Frame	Mounting													
			A	B	C	D	G	H	E	2E	2F1	2F2	P	AK	AJ	AH
1.5	3600	56C	6.50	6.50	11.59	3.50	0.12	1.22*0.34	2.44	4.88	3.00	5.00	6.50	4.500	5.875	2.06

Mounting					Shaft Extension, Key Set					Conduit Box				Bearings		Mount
AG	BA	BB	BC	BF	U	R	S	ES	N-W	AA	AB	AC	BV	DE	ODE	
9.53	2.75	0.16	-0.19	4*3/8-16	0.625	0.517	0.188	1.41	1.88	0.86	5.75	4.25	5.30	6205	6205	F1

**BEARING LUBRICATION:** The bearings come lubricated with Mobile Polyrex EM Polyurea Grease.



***Murphey Electric LLC***  
 Serving Industry With The Best Products And Service Since 1928

411 Platte Ave.  
 York, NE. 68467

Phone: 402-362-3245  
 Toll Free / Fax: 888-226-4917



**SS56C1.5M-2**

**WASHDOWN DUTY MOTOR**  
**HIGH EFFICIENCY / EISA COMPLIANT**  
**STAINLESS STEEL CONSTRUCTION - C-FLANGE WITH FEET**  
**TOTALLY ENCLOSED FAN COOLED - IP66 CONSTRUCTION**  
**INVERTER DUTY 10:1 CT; 20:1 VT - NEMA MG1 PART 31**

**PERFORMANCE DATA**

HP	RPM	Frame	Voltage	Frequency (Hz)	Full Load S.F.	Insulation Class	NEMA Design	Slip (%)	NEMA Code	Enclosure Type	IP Rating	Max. Ambient
1.5	3480	56C	208-230/460	60	1.15	F	C	3.3	K	TEFC	66	40° C

Amps (460V)		Efficiency (%)				Power Factor			Torque (ft-lb)			DE Bearing	ODE Bearing	Connection	Weight (lbs.)
FLA	LRA	100%	75%	50%	Min.	100%	75%	50%	FLT	LRT %	BDT %				
2.0	20.0	84.0	78.0	74.0	81.5	0.91	0.82	0.73	2.3	285	300	6205	6205	9 Lead 2Y/Y	39

**NAME PLATE**

		<b>WASHDOWN DUTY STAINLESS STEEL MOTOR</b>								<b>CONNECTION DIAGRAMS</b>		
<b>INVERTER DUTY 20:1 VT; 10:1 CT</b>		<b>HIGH EFFICIENCY EISA COMPLIANT</b>										
<b>CAT NO: SS56C1.5M-2</b>		<b>FRAME 56C</b>		<b>PHASE 3</b>								
<b>HZ 60</b>	<b>S.F. 1.15</b>	<b>HZ 50</b>	<b>S.F. 1.2</b>	<b>ENCL TEFC</b>	<b>IP 66</b>							
<b>HP 1.5</b>	<b>RPM 3480</b>	<b>HP 1</b>	<b>RPM 2865</b>	<b>DUTY CONT</b>	<b>DES C</b>							
<b>VOLTS 208-230/460</b>		<b>VOLTS 190/380</b>		<b>AMB 40° C</b>	<b>INS F</b>							
<b>FLA 4.4 - 4 / 2</b>		<b>FLA 3.3/1.65</b>		<b>DE BEARING 6205</b>								
<b>CODE K</b>	<b>P.F. 0.91</b>	<b>CODE K</b>	<b>P.F. 0.92</b>	<b>ODE BEARING 6205</b>								
<b>EFF 84.0</b>	<b>MIN 81.5</b>	<b>EFF 81.5</b>	<b>MIN 78.5</b>	<b>LUB: Mobile Polyrex EM</b>								
<b>MOTOR WEIGHT 39 LBS</b>		<b>CONNECTION 9 Lead 2Y/Y</b>		<b>SER NO</b>								
Special purpose motor designed for washdown applications and extremely corrosive environments. Hernando, Mississippi							<b>CC 082A</b>					

**APPLICATIONS:**

Applications include washdown applications, food processing, chemical processing, pharmaceuticals, poultry processing, meat processing, dairy applications, bakeries, snack foods, bottling and extremely corrosive environments.



**Murphey Electric LLC**

Serving Industry With The Best Products And Service Since 1928

411 Platte Ave.  
 York, NE. 68467

Phone: 402-362-3245  
 Toll Free / Fax: 888-226-4917